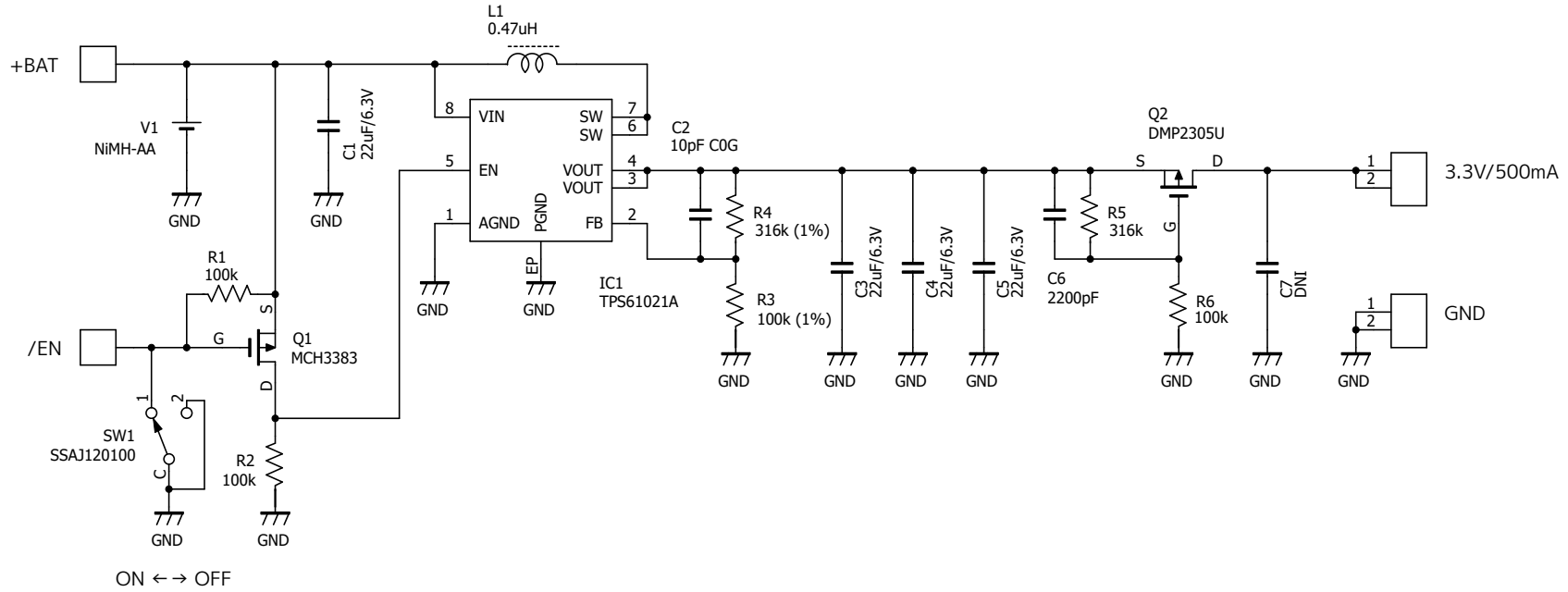


1Cell-3.3V昇圧



ON ← → OFF

CHECK	ENEBATT PCB		REV.A
			2020.12.27
S.OSAFUNE / J-7SYSTEM WORKS LIMITED			1/1