

ピンアウト図

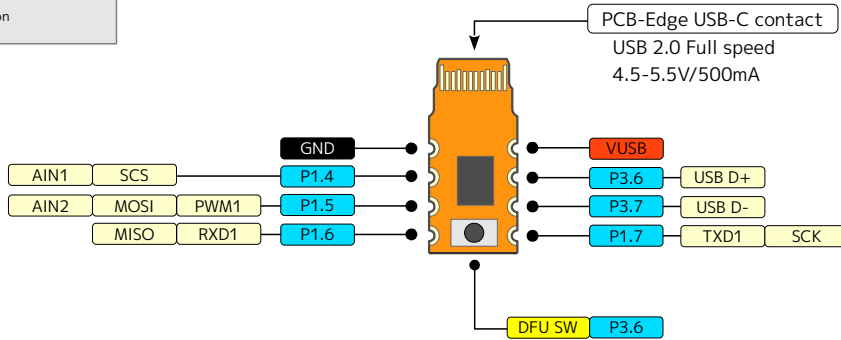
LEGEND	
	GND
	POWER
	CONTROL
	MCU PHYSICAL
	I/O PORT
	ONBOARD LED
	INDICATION

▲ Attention

CH552E Breakout PINOUT DIAGRAM

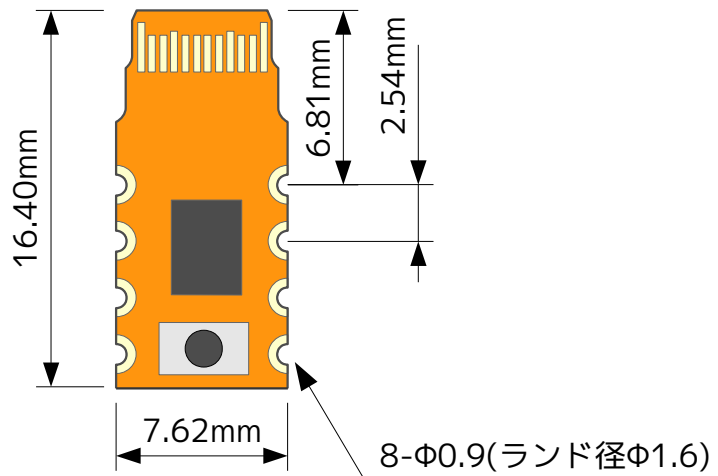
Mar 10, 2023
J-7SYSTEM WORKS LIMITED

Mounting device : WCH CH552E



▲ All control and I/O pins are driven at 3.3V.
And the I/O pins has 5V tolerant except P3.6 and P3.7.

■基板寸法



・FR-4 t0.6 2層,ENIG仕上げ