

# ピンアウト図

**LEGEND**

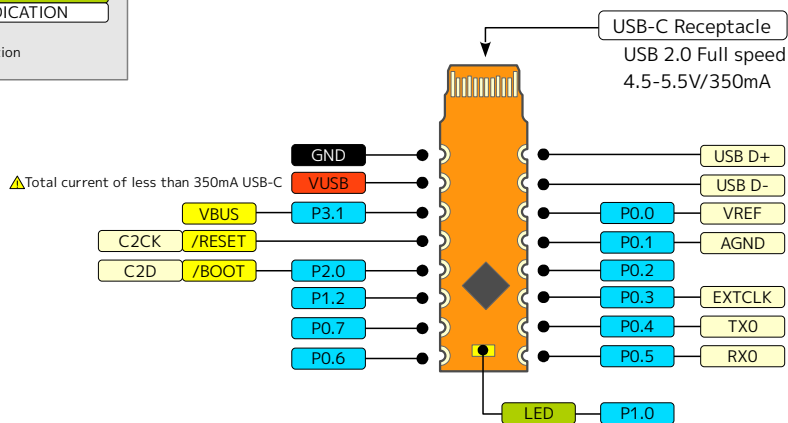
GND
POWER
CONTROL
MCU PHYSICAL
I/O PORT
ONBOARD LED
INDICATION

▲ Attention

## EFM8UB1 Breakout PINOUT DIAGRAM

Sep 16, 2018  
J-7SYSTEM WORKS LIMITED

Mounting device : EFM8UB10F16G-C-QFN20



▲ All control and I/O pins are driven at 3.3V. And the I/O pins has 5V tolerance.